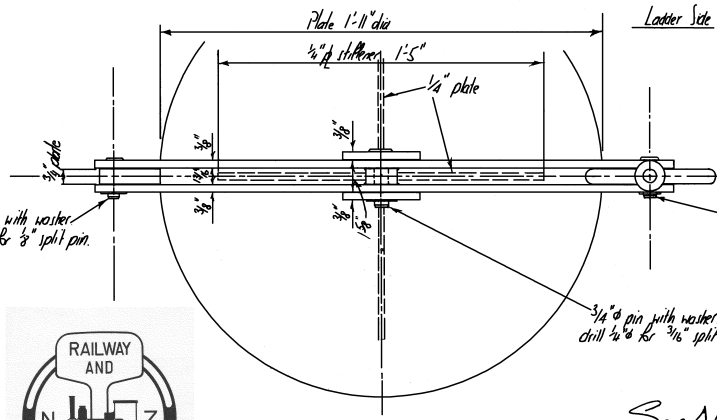


**SECTION THRU RELOCATED DIP POINT**

Existing dip point located in manlid. For quick opening manlid the dip point is to be positioned 1 1/2" from O.D. of manhole on longitudinal L of tank. Dip tube to be modified to suit as necessary. Dip stick to be local fabricated



QP 2589/3.

REFER TO SPECIFICATION No.

DATE	SUFFIX	NATURE OF AMENDMENT	SIGNED

**BP NEW ZEALAND LIMITED**

**600 GAL. DEMOUNTABLE TANK.**

**QUICK OPENING MANLID.**

DRAWN: *KAB* APPROVED: *M. B. BOSTON* DATE: 23/11/71  
 TRACED: *M. B. BOSTON* SCALE: 3/16" = 1 1/2" full size  
 CHECKED: *M. B. BOSTON* Senior Engineer

**DH3004**

See 46/260 of 26/11/71.

02/01

